



idcom

Midland Combustion Electric Outflow Heaters with Integral Panels

Midcom Electric Outflow Heaters are available to work with even the most difficult oils and process fluids when there is no other heating medium available.

High viscosity crude oils as well as coal tar, bitumen and a host of process fluids can be heated to specific temperatures and controlled precisely either by traditional thermostat or the more up to date method of solid state electronics offering more accurate temperature control and power saving.

Long life low watts density removable ceramic core elements are designed for optimum trouble free service and ease of maintenance.

All **Midcom** tank mounted Outflow Heaters from **EOF** range are fitted with adjustable temperature control thermostat and over temperature – cut out – thermostat fitted into pockets and located within a weather tight enclosure.

Depending on how the heating load is arranged multiple heating banks with multiple thermostats are designed for efficient heater control fitted into pockets and located within a weather tight enclosure.

They are extensively used in large and small heating applications such as diesel oil systems where there is a need to prevent waxing at low temperatures, combustion systems, furnace applications and all styles of fuel handling arrangements.

One advantage of the **Midcom** Outflow Heater is that a failed electric element can be replaced without the need to isolate and drain the storage tank.

All heaters in the **Midcom** range have been supplied for Marine applications requiring rigorous inspections from the likes of Lloyds Register of Shipping, Zurich, ABS etc.

Products are hydraulic and electrical tested before they leave the factory.

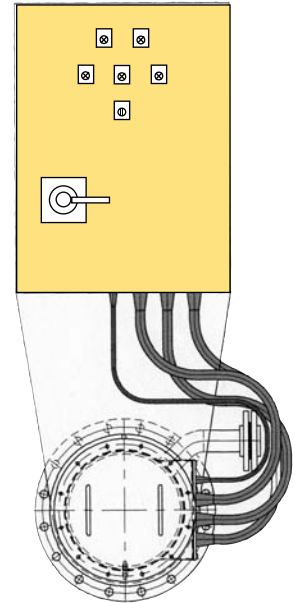
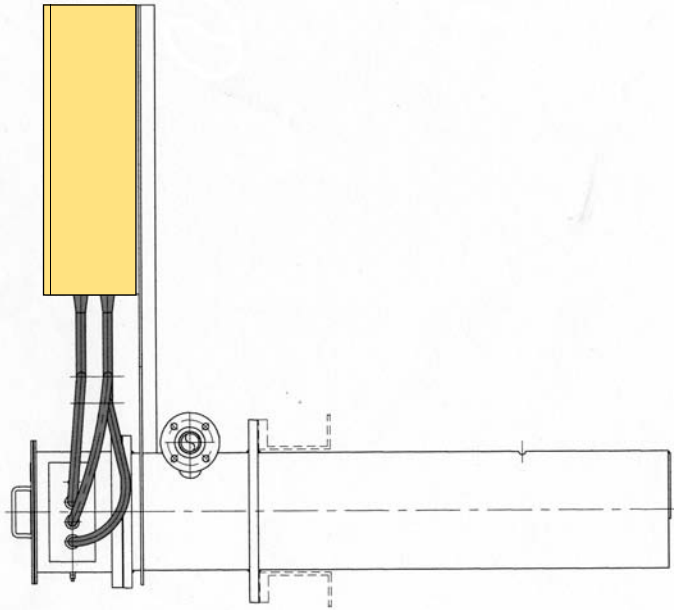
By installing a **Midcom** Outflow Heater the tank contents can be stored at a lower temperature thus saving energy. The outflow heater will therefore only heat the required oil needed for process.

Fuel Oils	Viscosity @ 50°C	Minimum Storage Temperature	Minimum Pumping Temperature @ Outflow Heater Outlet
Class F	110	25°C	30°C
Class G	380	40°C	50°C
Class H	600	45°C	55°C



idcom

Midland Combustion Electric Outflow Heaters with Integral Panels



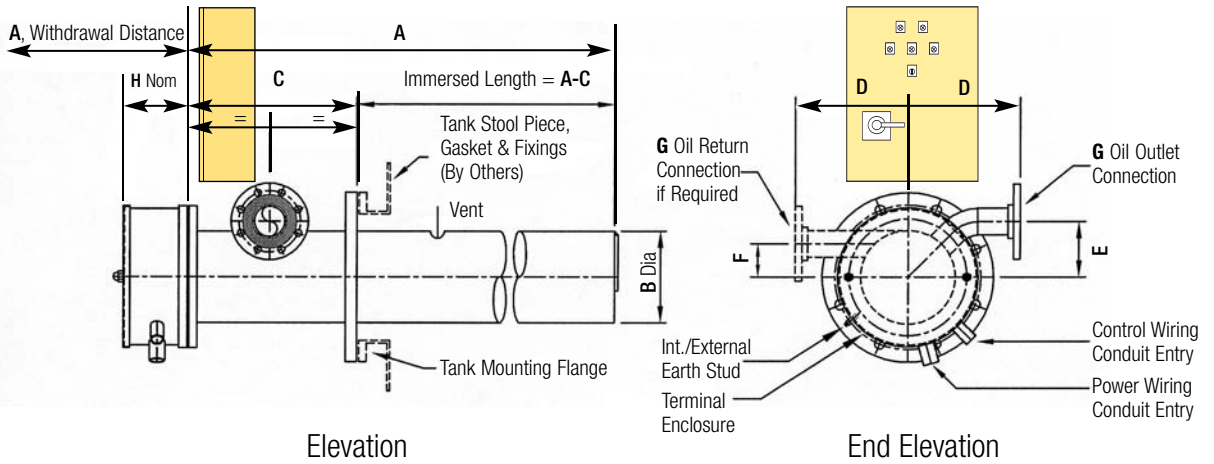
Midcom Code	kW Load for Heavy Fuel Oils	Maximum Heating Throughput Raising Heavy Fuel Oil through 10°C (kg/hr)
EOF 4 - 24	3.6	642
EOF 4 - 36	5.4	962
EOF 4 - 48	7.2	1283
EOF 4 - 60	9.0	1604
EOF 4 - 72	10.8	1925
EOF 4 - 84	12.6	2246
EOF 4 - 96	14.4	2566
EOF 6 - 48	21.6	3850
EOF 6 - 60	27.0	4812
EOF 6 - 72	32.4	5774
EOF 6 - 84	37.8	6737
EOF 6 - 96	43.2	7699

Midcom Code	kW Load for Heavy Fuel Oils	Maximum Heating Throughput Raising Heavy Fuel Oil through 10°C (kg/hr)
EOF 8 - 60	45.0	8019
EOF 8 - 72	54.0	9623
EOF 8 - 84	63.0	11277
EOF 8 - 96	72.0	12831
EOF 10 - 48	64.8	11549
EOF 10 - 60	81.0	14436
EOF 10 - 72	97.2	17323
EOF 10 - 84	113.4	20210
EOF 10 - 96	129.6	23097
EOF 12 - 60	108.0	19248
EOF 12 - 72	129.6	23097
EOF 12 - 84	151.2	26947
EOF 12 - 96	172.8	30796



Midcom

Midland Combustion Electric Outflow Heater Dimensions



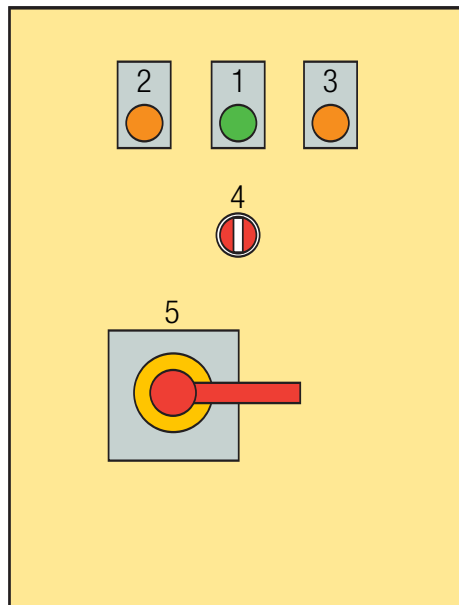
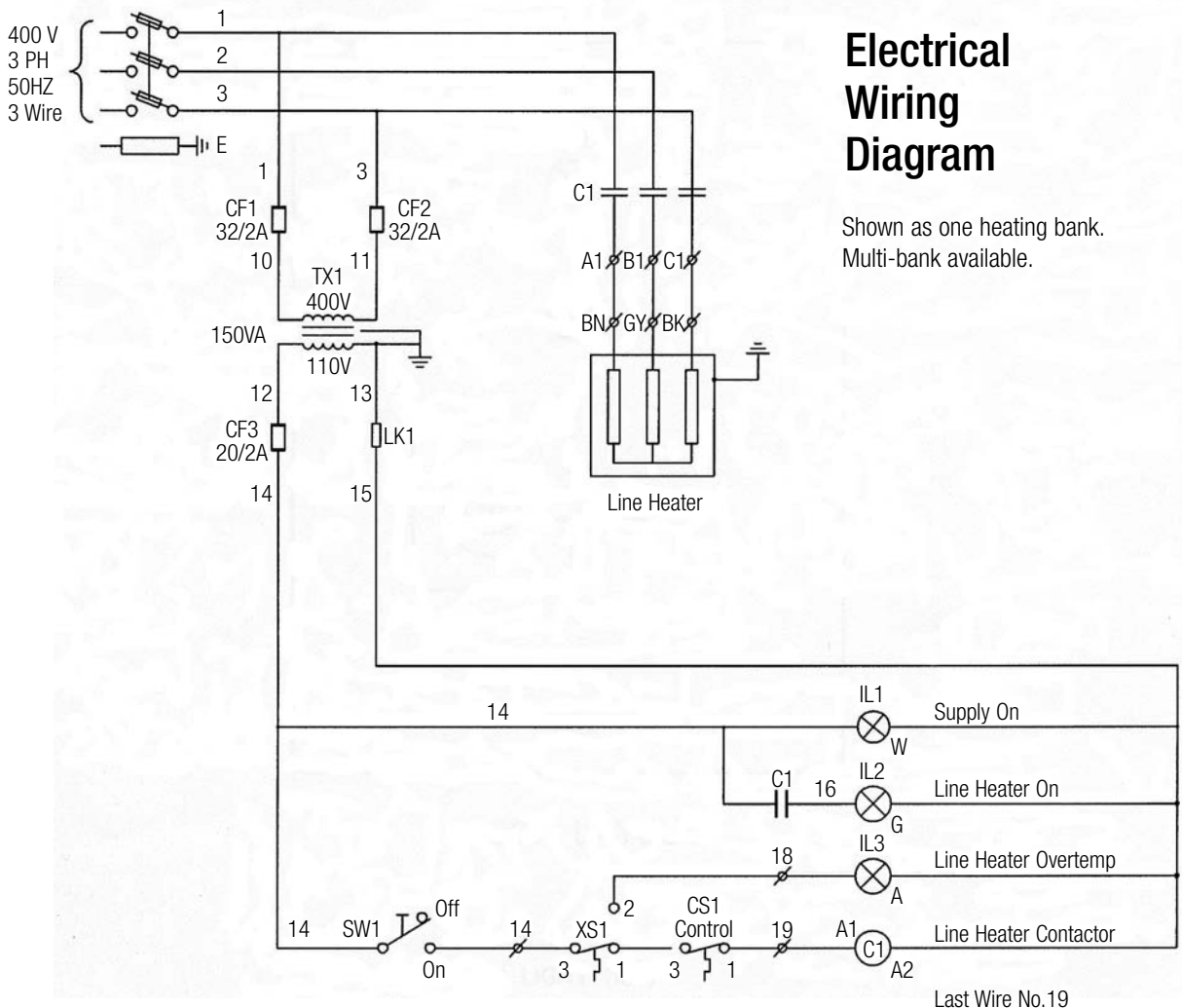
Midcom Type	mm B	mm C	mm D	mm E	mm F	NB G	mm H	Tank Mounting Flange (PN10 BS EN 1092)
EOF 4 -	114.3	300	185	85	30	40	146	150NB- 85 O/D x 15mm Thick C/W 8 off 22ø Holes on 240 Pcd off Ctr's
EOF 6 -	168.3	300	200	100	55	50	151	200NB- 340 O/D x 20mm Thick C/W 8 off 22ø Holes on 295 Pcd off Ctr's
EOF 8 -	219.1	300	230	130	75	50	151	250NB- 395 O/D x 20mm Thick C/W 12 off 22ø Holes on 350 Pcd off Ctr's
EOF 10 -	273	300	260	140	105	50	156	300NB- 445 O/D x 25mm Thick C/W 12 off 22ø Holes on 400 Pcd off Ctr's
EOF 12 -	323.8	380	350	210	115	80	156	350NB- 505 O/D x 25mm Thick C/W 16 off 22ø Holes on 460 Pcd off Ctr's

Length	24 ins	36 ins	48 ins	60 ins	72 ins	84 ins	96 ins	
A	610	915	1220	1525	1830	2135	2440	



Midcom

Midland Combustion Electric Outflow Heater



Door Layout for Electric Outflow Heater IP65 Control Panel

1. Supply On Light (IL1)
2. Outflow Heater On Light (IL2)
3. Outflow Heater Overtemp Light (IL3)
4. Outflow Heater Off/On Selector Switch
5. Fuse Switch Handle