



idcom

Midland Combustion Steam Outflow Heaters

Midcom Steam Outflow Heaters are available to work with even the most difficult oils and process fluids when there is no other heating medium available.

High viscosity crude oils as well as coal tar, bitumen and a host of process fluids such as BIO Fuels, animal fats can be heated to specific temperatures and controlled precisely by traditional direct acting steam valve and temperature controller.

They are extensively used in large and small heating applications such as diesel oil systems where there is a need to prevent waxing at low temperatures, combustion systems, furnace applications and all styles of fuel handling arrangements.

All heaters in the **Midcom** range have been supplied for **Marine** applications requiring rigorous inspections from the likes of Lloyds Register of Shipping, Zurich, ABS etc.

Products are hydraulic and electrical tested before they leave the factory.

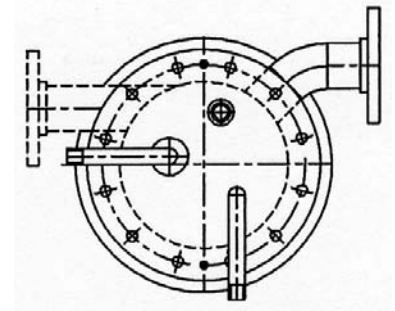
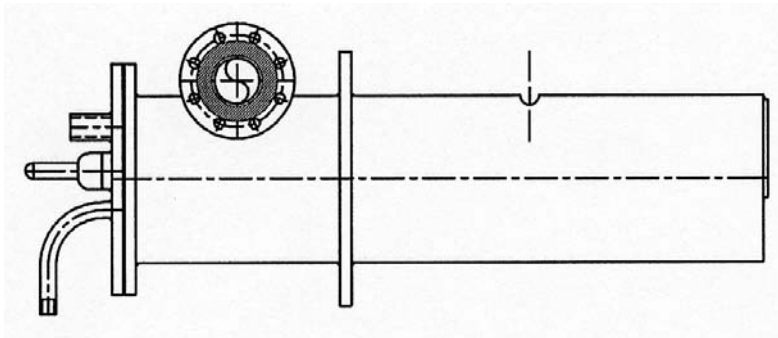
By installing a **Midcom** Outflow Heater the tank contents can be stored at a lower temperature thus saving energy. The outflow heater will therefore only heat the required oil needed for process.

Fuel Oils	Viscosity @ 50°C (cSt)	Minimum Storage Temperature	Minimum Pumping Temperature @ Outflow Heater Outlet
Class F	110	25°C	30°C
Class G	380	40°C	50°C
Class H	600	45°C	55°C



idcom

Midland Combustion Steam Outflow Heaters

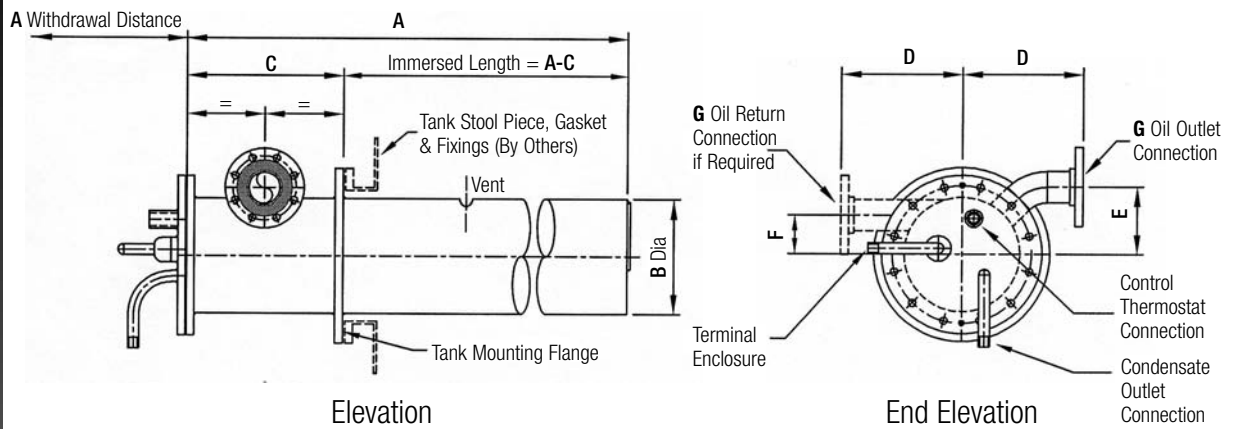


Midcom Code	Basing on 7 barg Steam. Maximum Heating Throughput Raising Heavy Fuel Oil through 10°C (kg/hr)	Midcom Code	Basing on 7 barg Steam. Maximum Heating Throughput Raising Heavy Fuel Oil through 10°C (kg/hr)
SOF 6 - 36	3066	SOF 12 - 60/3	24202
SOF 6 - 48	4123	SOF 12 - 72/3	29401
SOF 6 - 60	5199	SOF 12 - 84/3	35497
SOF 6 - 72	6275	SOF 12 - 96/3	40158
SOF 6 - 84	6633	SOF 12 - 108	44819
SOF 6 - 96	7530		
		SOF 16 - 72	49480
SOF 8 - 60	8067	SOF 16 - 84	59161
SOF 8 - 72	9860	SOF 16 - 96	67049
SOF 8 - 84	11832	SOF 16 - 108	75296
SOF 8 - 96	13625	SOF 16 - 120	87845
SOF 8 - 108	16135	SOF 16 - 144	100394
SOF 12 - 72	19720	SOF 20 - 96	93582
SOF 12 - 84	23664	SOF 20 - 108	105414
SOF 12 - 96	26891	SOF 20 - 120	116888
SOF 12 - 108	30118	SOF 20 - 220	214772
		SOF 24 - 120	216923
		SOF 24 - 220	397991



idcom

Midland Combustion Steam Outflow Heater Dimensions



Midcom Type	mm B	mm C	mm D	mm E	mm F	NB G	Tank Mounting Flange (PN10 BS EN 1092)		
SOF 6 –	168.3	300	230	100	55	50	200NB– 340 O/D x 20mm Thick C/W 8 off 22ø Holes on 295 Pcd off Ctr's		
SOF 8 –	219.1	300	230	130	75	50	250NB– 395 O/D x 20mm Thick C/W 12 off 22ø Holes on 350 Pcd off Ctr's		
SOF 12 –	323.8	380	350	210	115	80	350NB– 505 O/D x 25mm Thick C/W 16 off 22ø Holes on 460 Pcd off Ctr's		
SOF 16 –	406.4	380	400	275	155	80	450NB– 615 O/D x 32mm Thick C/W 20 off 26ø Holes on 565 Pcd off Ctr's		
SOF 20 –	508	500	500	300	170	150	600NB– 780 O/D x 40mm Thick C/W 20 off 30ø Holes on 725 Pcd off Ctr's		
SOF 24 –	610	550	550	350	220	150	800NB– 1015 O/D x 40mm Thick C/W 24 off 33ø Holes on 950 Pcd off Ctr's		
Length	36 ins	48 ins	60 ins	72 ins	84 ins	96 ins	108 ins	120 ins	220 ins
A	915	1220	1525	1830	2135	2440	2745	3050	5590